



# MX1200XTS

## XPREP® Hi-Power Variable-Speed Food Blender with 64 oz., Stainless Steel Container



\*Made in USA with US and foreign parts.

### ELECTRICAL

Voltage: 120

Frequency: 60Hz

Watts: 1560

Amps: 12.5

Plug Type: A

Cord Length: 6 feet



### MAIN FEATURES

- Heavy-duty, 3.5 peak-HP, high performance motor with 2-speed selection is the strongest in its class. It powers through the toughest ice and frozen fruit mixtures in seconds.
- Super-high 45,000 RPM motor speed is ferocious enough for everything from smoothies and frozen drinks to thick spreads, desserts, dressings and all types of food preparation.
- Variable speed control from 1,500 RPM to 20,000 RPM for maximum control over your blending—perfect for all types of food preparation.
- Simple HI, LO, ON/OFF and PULSE paddle switches and variable speed knob are easy to use and easy to find in dimly lit locations.
- Unbreakable, dishwasher-safe, 64 oz., stainless steel container has a cloverleaf jar design to create a high-power vortex, funneling food directly into the blade.
- High-performance, high-impact, stainless-steel blade is user-replaceable for easy servicing.
- Easily removable container cover with removable clear cap for adding ingredients and pressure reduction during hot food blending.
- User-replaceable, metal-on-metal, stainless-steel coupling system between base and container for durability and reliability.
- One-piece, dishwasher-safe, removable jar pad.
- Optional sound enclosure easily retro-fits to base for noise reduction.
- Recommended for 75+ drinks per day.
- Limited Three-Year Motor Warranty and Two-Year Parts & Labor Warranty.

### SALES FEATURES

Get smooth, consistent results every time with the Waring® MX1200XTS. This heavy-duty, powerful 3.5 HP blender powers through the toughest ice and frozen fruit mixtures in seconds. Rev it up with variable speed controls from 1,500 to 20,000 RPM and a max pulse of 30,000 RPM. Perfect for a busy bar, health facility, school or coffee shop.

XPREP® Hi-Power Variable-Speed Food Blender with 64 oz., Stainless Steel Container

MX1200XTS



@waringcommercial

©2019 Waring Commercial  
314 Ella T. Grasso Avenue, Torrington, CT 06790  
Tel. 800-492-7464 • Fax 860-496-9008

waringcommercialproducts.com

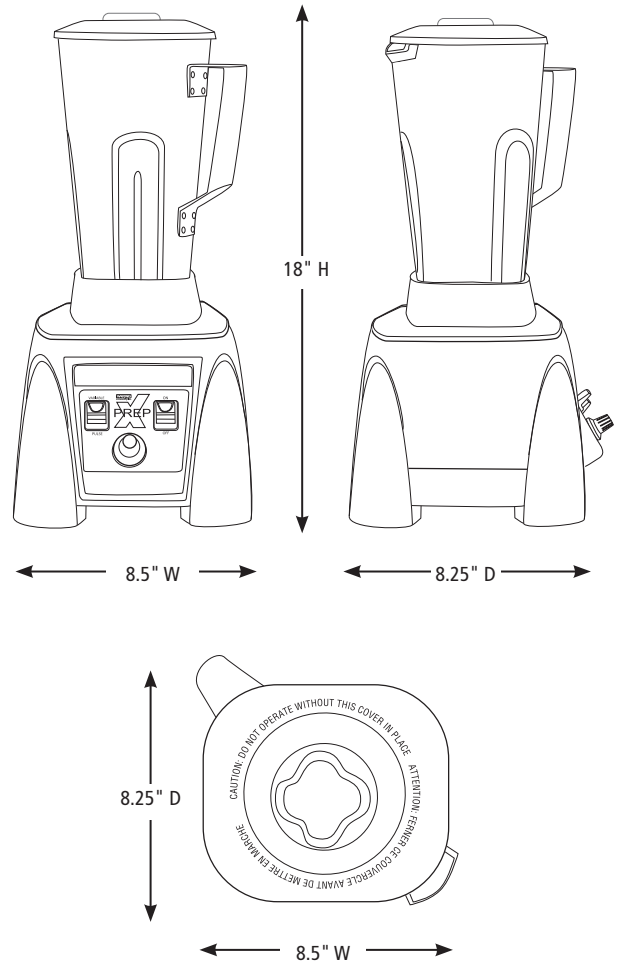


# XPREP® Hi-Power Variable-Speed Food Blender with 64 oz., Stainless Steel Container MX1200XTS

## PARTS & ACCESSORIES

- |   |   |   |  |
|---|---|---|--|
|    | <b>CAC90</b><br>64-oz. Stainless Steel Container  |    | <b>CAC95-12</b><br>64-oz. Green Copolyester Container                      |
|    | <b>CAC93X</b><br>48-oz. Copolyester Container   |    | <b>CAC95-28</b><br>64-oz. Orange Copolyester Container                     |
|    | <b>CAC93X-03</b><br>48-oz. Yellow Copolyester Container   |    | <b>CAC116</b><br>Blending Assembly Kit and Retainer Ring Kit               |
|    | <b>CAC93X-06</b><br>48-oz. Blue Copolyester Container   |    | <b>CAC119</b><br>Retainer Ring Wrench                                      |
|    | <b>CAC93X-10</b><br>48-oz. Purple Copolyester Container   |    | <b>CAC158</b><br>Blending Assembly Kit                                     |
|    | <b>CAC93X-12</b><br>48-oz. Green Copolyester Container  |    | <b>CAC159</b><br>Retainer Ring Kit   |
|   | <b>CAC93X-28</b><br>48-oz. Orange Copolyester Container   |   | <b>CAC160</b><br>Drive Coupling  |
|  | <b>CAC95</b><br>The Raptor™ – Aggressive, All-Purpose, Stackable, 64-oz. BPA-Free Copolyester Container |  | <b>CAC161</b><br>Drive Coupling Removal Tool                               |
|  | <b>CAC95-03</b><br>64-oz. Yellow Copolyester Container  |  | <b>CAC169</b><br>Spatula – Custom designed for use with MX Series Blenders |
|  | <b>CAC95-06</b><br>64-oz. Blue Copolyester Container  |  | <b>SE1000</b><br>Large Sound Enclosure                                     |
|  | <b>CAC95-10</b><br>64-oz. Purple Copolyester Container  |  | <b>SE500</b><br>Small Sound Enclosure                                      |

## DIMENSIONS



Out of Box Weight: 15.66 lb.

ORDERING INFORMATION	#STD. PKG.	GIFTBOX WEIGHT	CUBIC FEET	BOX DIMENSIONS D X W X H	UPC	CASE PKG.	MC WEIGHT	MC DIMENSIONS D X W X H	MBC
MX1200XTS– XPREP® Hi-Power Variable-Speed Food Blender with 64 oz. Stainless Steel Container	1	18.5	1.05	11.375" x 10.375" x 15.375"	040072006920	1	20	11.75" x 10.75" x 16.25"	10040072006927



@waringcommercial

©2019 Waring Commercial  
314 Ella T. Grasso Avenue, Torrington, CT 06790  
Tel. 800-492-7464 • Fax 860-496-9008

waringcommercialproducts.com

19WC063869 / REV 09/19